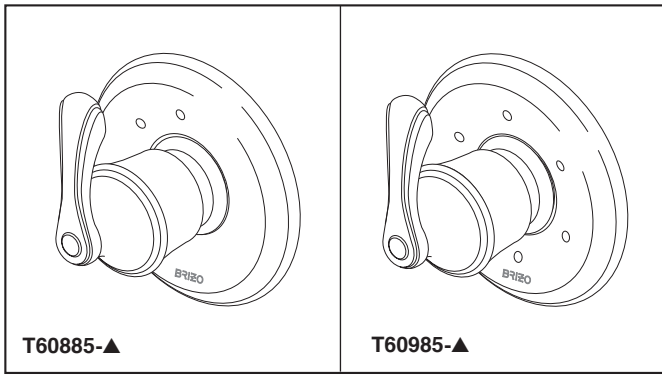


BRIZO®

CUSTOM SHOWER DIVERTER

- Charlotte® Collection
- Three Function Diverter Trim (T60885)
- Six Function Diverter Trim (T60985)




STANDARD SPECIFICATIONS:

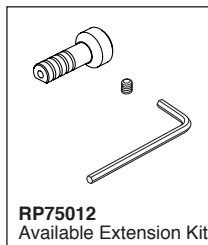
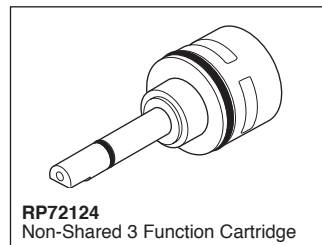
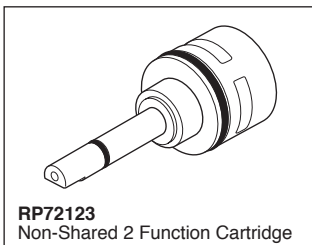
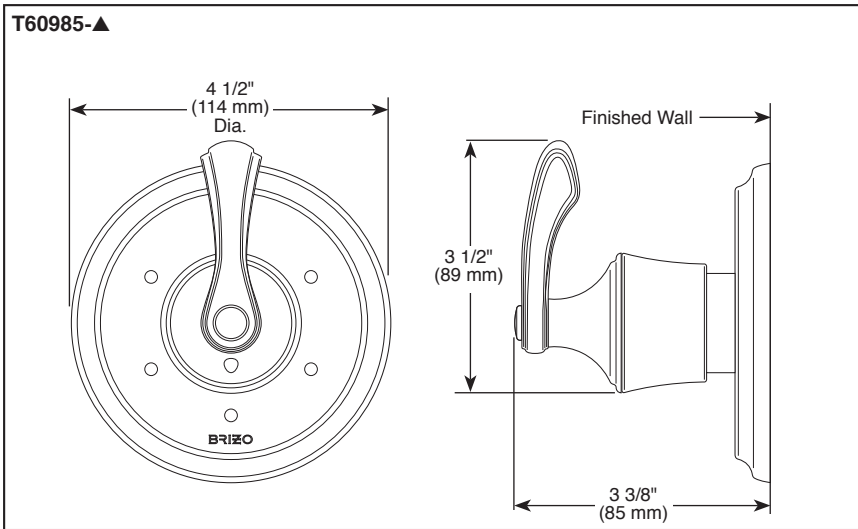
- Three function diverter. 2 individual positions, 1 shared position
- Six function diverter. 3 individual positions, 3 shared positions
- Requires rough-in R60700 to complete installation
- Non-shared 2 function cartridge (RP72123) and 3 function cartridge (RP72124) are available
- Rough extension kit (RP75012) available

WARRANTY

- Parts and Finish - Lifetime limited warranty; or for commercial purchasers, 10 years for multi-family residential (apartments and condominiums) and 5 years for all other commercial uses, in each case from the date the product is received by the original purchaser or their authorized representative (installation contractor, etc.).
- Please go to www.brizo.com for the complete details of our limited warranty.

COMPLIES WITH:

- ASME A112.18.1 / CSA B125.1
-  ICC/ANSI A117.1



▲ Designate proper finish suffix